

Chelsea Double

Marble Top¹

Carrara Polished = CHEL-D-CP-X*

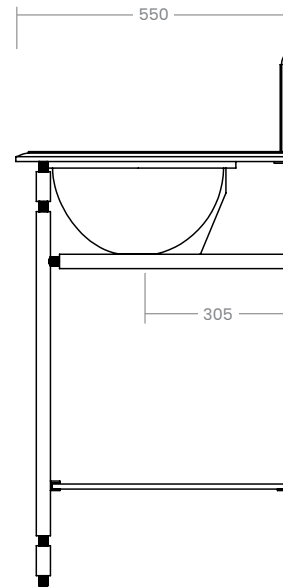
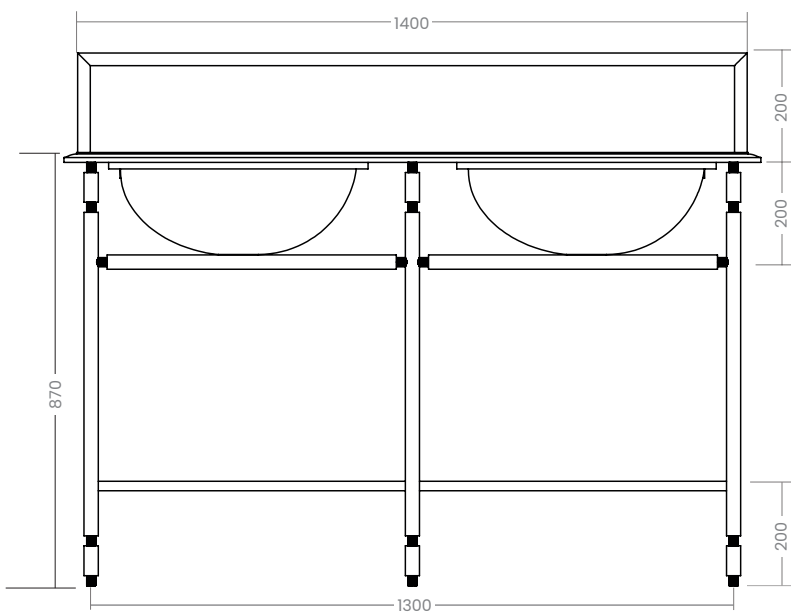
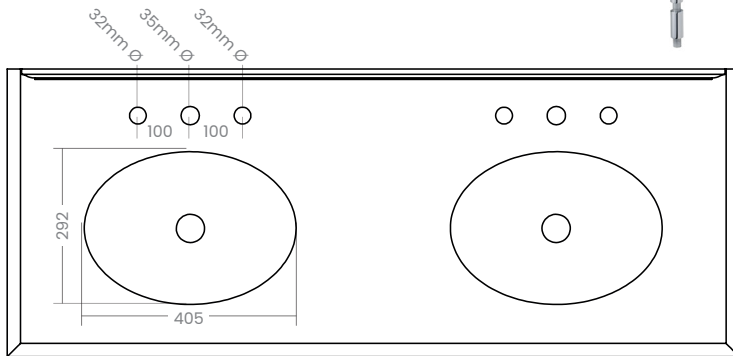
Carrara Honed = CHEL-D-CH-X*

Arabascato = CHEL-D-AR-X*

Nero Marquina = CHEL-D-NM-X*

Wash Stand²

LILL-3-TT-B5-FA-XX**



Product Notes:

- 20mm Marble Slab with Chelsea edge detail and 200mm upstand. Available with 1, 2, 3 or no tap holes.
- British Made vitreous china bowl, glazed both sides.
- Pictured is Carrara Polished Marble with Chrome washstand.
- Tap holes shown above are the suggested standards for a 3 hole variation. As each top is cut to order holes can be positioned and to a size according to your requirements. A drawing is required to be signed off prior to production for any variation to top and stand.
- Available with or without Low iron Glass Shelf.

¹ Sterlingham supply Marble Top with upstand, Ceramic Basin, and Overflow. Overflow is finished the same as the stand unless requested otherwise.

² All stands include brass wall support bracket in the same finish as the stand for mounting the top on to.



Handmade
in the heart of
BRITAIN

*X is replaced by the number of tap holes required

**XX is replaced by the Brassware Finish

UB - Unlacquered Brass	MAB - Medium Antique Bronze
BB - Brushed Brass	DB - Dark Bronze
CP - Polished Chrome	DAB - Dark Antique Bronze
BC - Brushed Chrome	GM - Gun Metal
NP - Polished Nickel	MBP - Matt Black Powder Coat
BN - Brushed Nickel	MWP - Matt White Powder Coat
LB - Light Bronze	GP - Polished Gold
LAB - Light Antique Bronze	AG - Antique Gold
MB - Medium Bronze	BG - Brushed Gold

THE STERLINGHAM
STERLINGHAM CO. LTD.

Units 2 & 2A Stamford Street
Amblecote, Stourbridge,
Worcestershire
England, DY8 4HR

Tel: +44(0)1384 370901
Fax: +44(0)1384 880159
sales@sterlingham.co.uk
www.sterlingham.co.uk