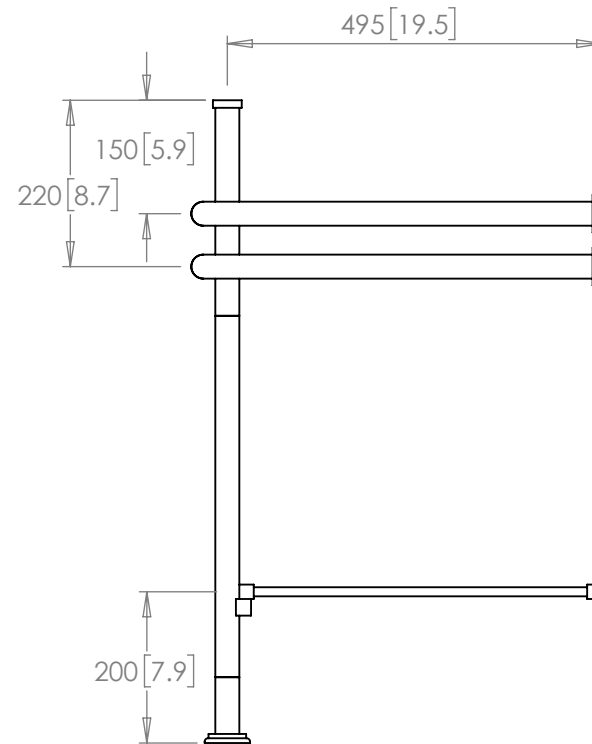
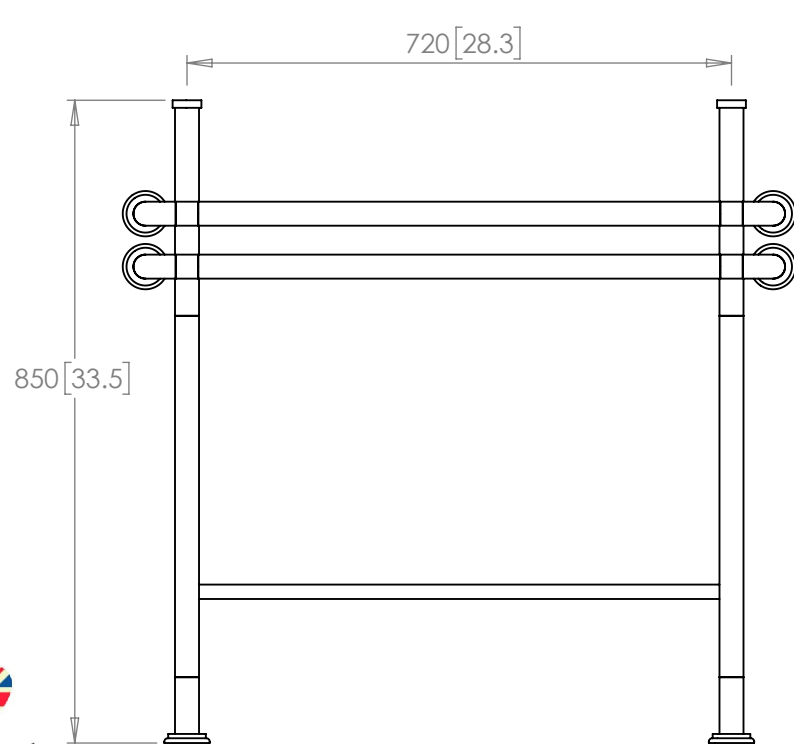
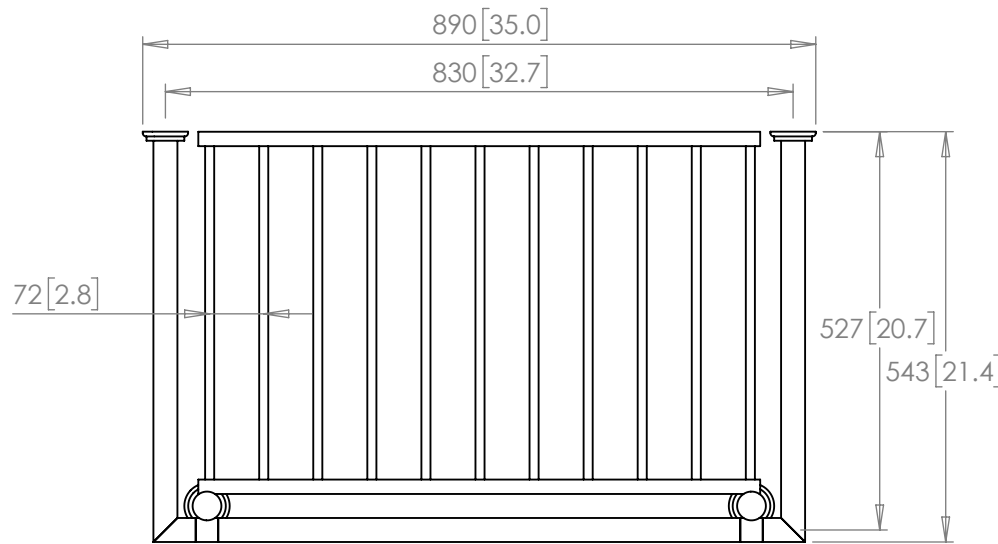
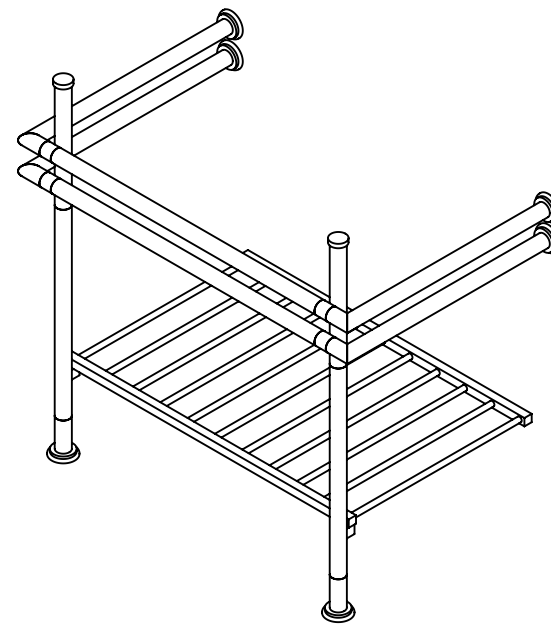


STAMFORD 2 LEG WASHSTAND

STAM-2-T1-B3-FS-xx

28 February 2024

- |                           |                             |
|---------------------------|-----------------------------|
| UB - UNLACQUERED BRASS    | BB - BRUSHED BRASS          |
| CP - POLISHED CHROME      | BC - BRUSHED CHROME         |
| NP - POLISHED NICKEL      | BN - BRUSHED NICKEL         |
| LB - LIGHT ANTIQUE BRONZE | LAB - LIGHT ANTIQUE BRONZE  |
| MB - MEDIUM BRONZE        | MAB - MEDIUM ANTIQUE BRONZE |
| DB - DARK BRONZE          | DAB - DARK ANTIQUE BRONZE   |
| GP - GOLD PLATED          | BG - BRUSHED GOLD           |
| GM - GUN METAL            | AG - ANTIQUE GOLD           |
| MWP - MATT WHITE P.COAT   | MBP - MATT BLACK P.COAT     |



THE STERLINGHAM CO. LTD.

SCALE: 1:10 | APPROX WEIGHT KG

MANUFACTURED FROM BRASS

Units 2 & 2A Stamford Street  
Amblecote, Stourbridge,  
Worcestershire  
England, DY8 4HR

Telephone : 01384 370901  
Fax : 01384 880159  
sales@sterlingham.co.uk  
USsales@sterlingham.co.uk  
www.sterlingham.co.uk



Handmade  
in the heart of  
BRITAIN