

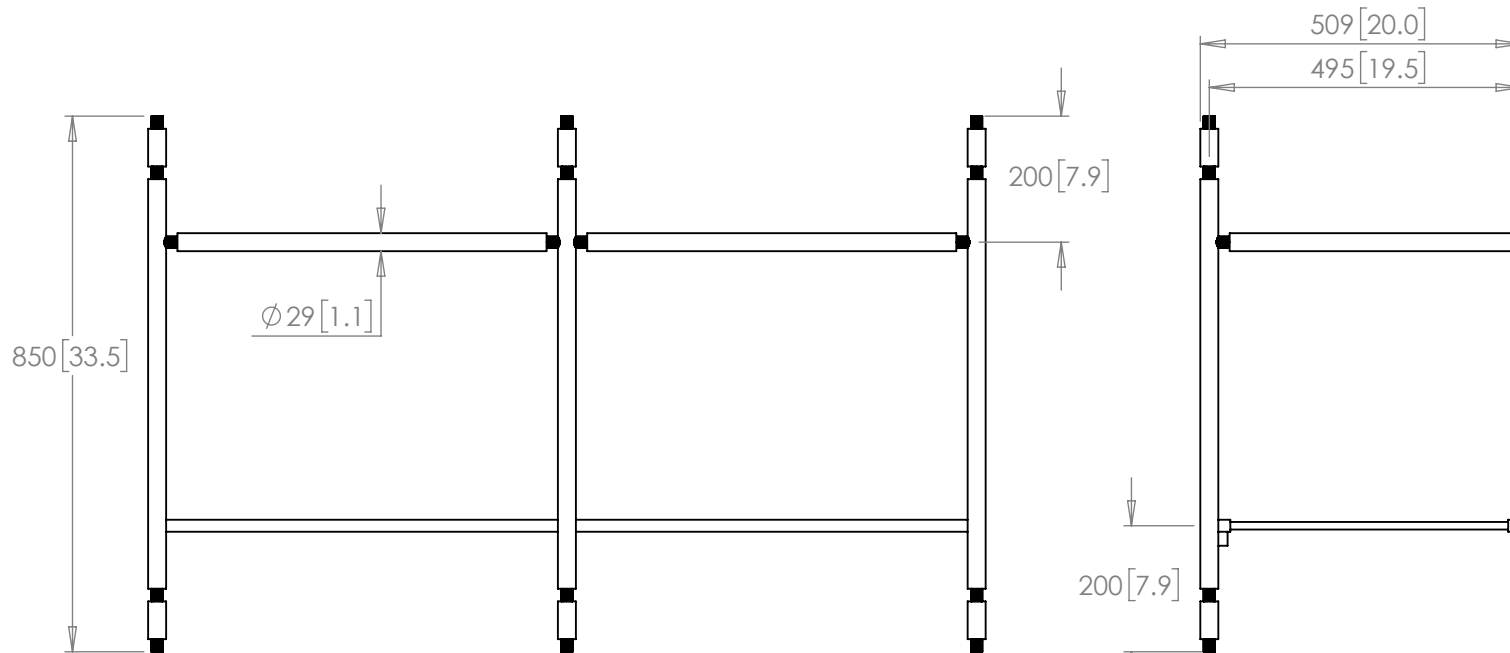
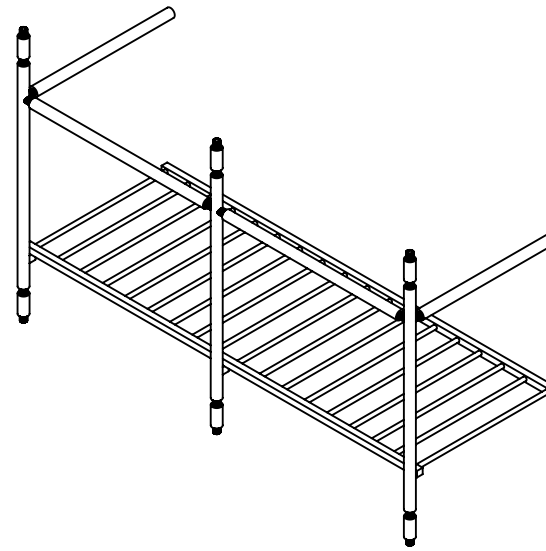
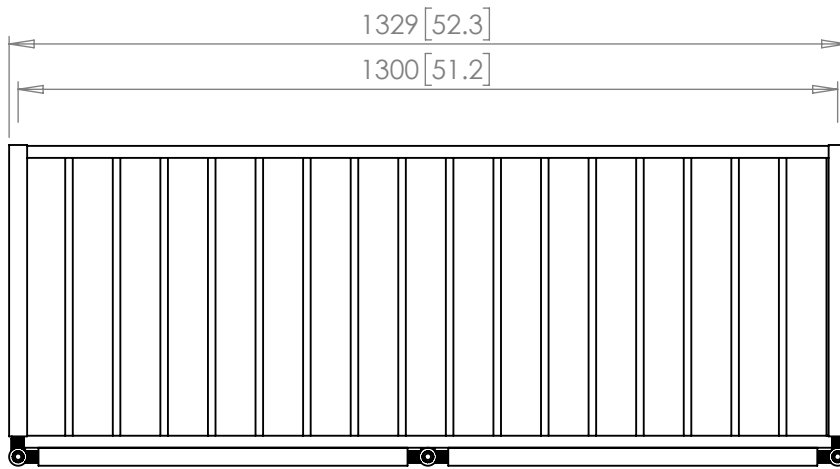
### 3 Leg Lillian Washstand

LILL-3-T1-B3-FA-UB

28 February 2024

850 [33.5] x 1300 [51.2] x 495 [19.5]

- |                             |                         |
|-----------------------------|-------------------------|
| UB - UNLACQUERED BRASS      | CP - POLISHED CHROME    |
| BB - BRUSHED BRASS          | NP - POLISHED NICKEL    |
| BN - BRUSHED NICKEL         | LB - LIGHT BRONZE       |
| LAB - LIGHT ANTIQUE BRONZE  | MB - MEDIUM BRONZE      |
| MAB - MEDIUM ANTIQUE BRONZE | DB - DARK BRONZE        |
| DAB - DARK ANTIQUE BRONZE   | GP - GOLD PLATED        |
| AG - ANTIQUE GOLD           | GM - GUN METAL          |
| MWP - MATT WHITE P.COAT     | MBP - MATT BLACK P.COAT |



Handmade  
in the heart of  
BRITAIN

THE STERLINGHAM<sup>CO.</sup>  
LTD.

SCALE: 1:20 | APPROX WEIGHT 18.50KG

MANUFACTURED FROM BRASS

Units 2 & 2A Stamford Street  
Amblecote, Stourbridge,  
Worcestershire  
England, DY8 4HR

Telephone : 01384 370901  
Fax : 01384 880159  
sales@sterlingham.co.uk  
www.sterlingham.co.uk