



Handmade  
*in the heart of*  
BRITAIN

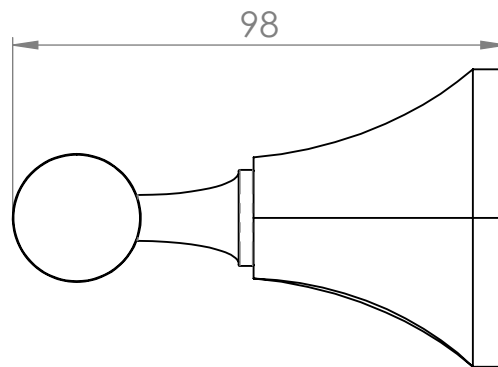
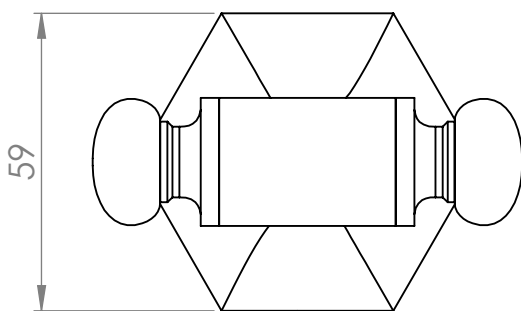
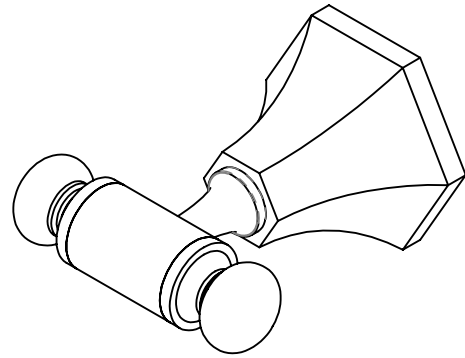
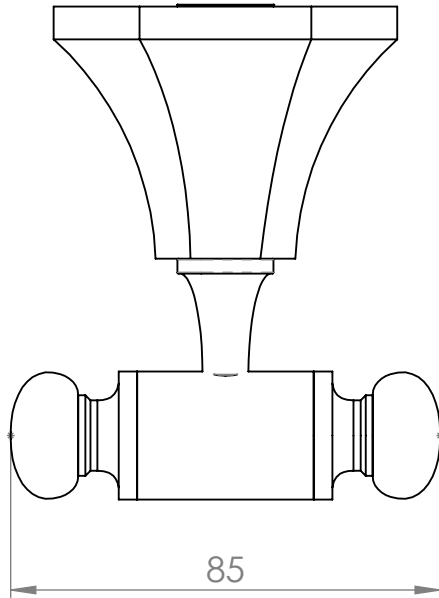
**6-330RD-xx**

Craftmaster Double Robe Hook

16 July 2021

59H x 85W x 98D

|                                    |                                |
|------------------------------------|--------------------------------|
| <b>UB</b> - UNLACQUERED BRASS      | <b>CP</b> - POLISHED CHROME    |
| <b>BB</b> - BRUSHED BRASS          | <b>NP</b> - POLISHED NICKEL    |
| <b>BN</b> - BRUSHED NICKEL         | <b>LB</b> - LIGHT BRONZE       |
| <b>LAB</b> - LIGHT ANTIQUE BRONZE  | <b>MB</b> - MEDIUM BRONZE      |
| <b>MAB</b> - MEDIUM ANTIQUE BRONZE | <b>DB</b> - DARK BRONZE        |
| <b>DAB</b> - DARK ANTIQUE BRONZE   | <b>GP</b> - GOLD PLATED        |
| <b>AG</b> - ANTIQUE GOLD           | <b>GM</b> - GUN METAL          |
| <b>MWP</b> - MATT WHITE P.COAT     | <b>MBP</b> - MATT BLACK P.COAT |



**THE STERLINGHAM** CO. LTD.

SCALE: 2:3

APPROX WEIGHT 0.39KG

MANUFACTURED FROM BRASS

Units 2 & 2A Stamford Street  
Amblecote, Stourbridge,  
Worcestershire  
England, DY8 4HR

Telephone : 01384 370901  
Fax : 01384 880159  
sales@sterlingham.co.uk  
www.sterlingham.co.uk