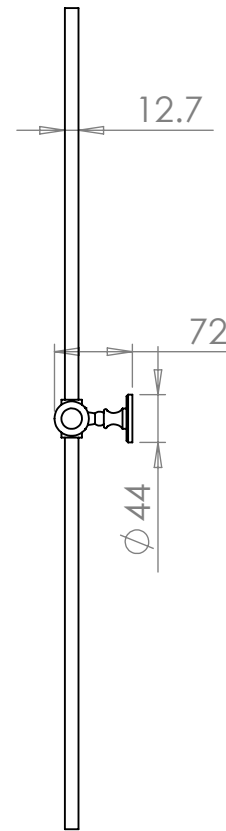
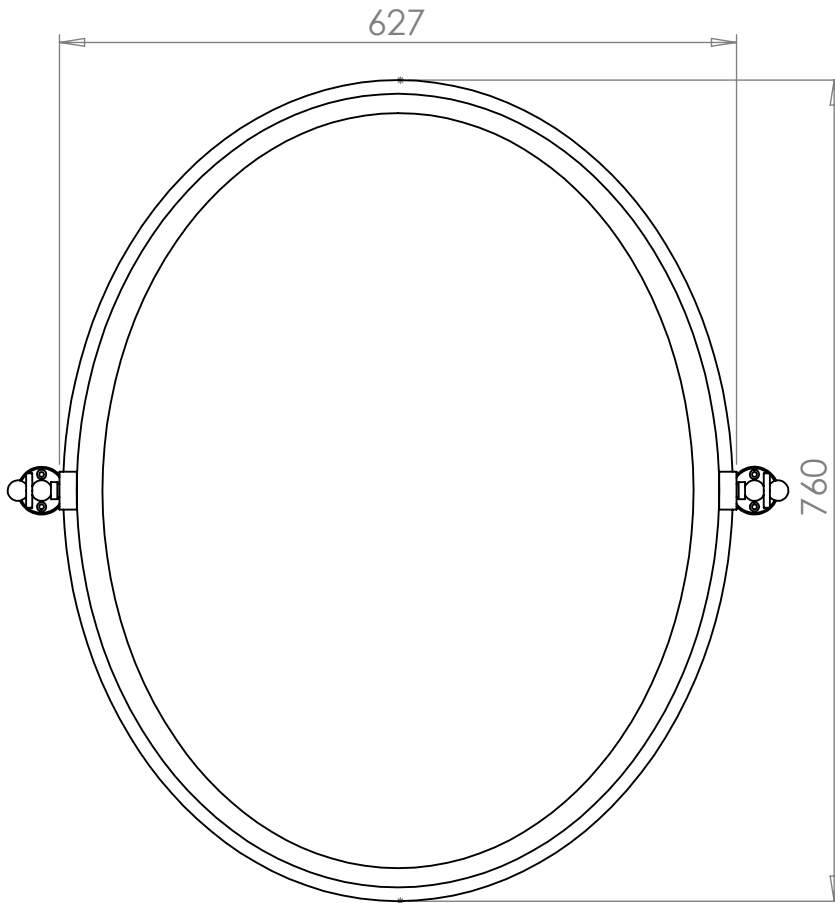
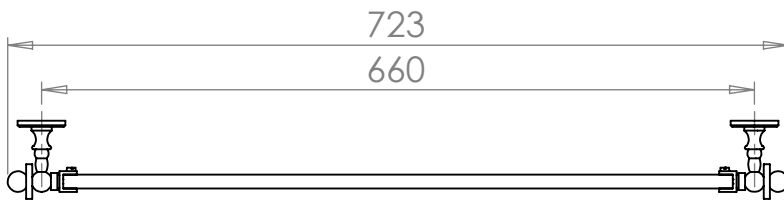
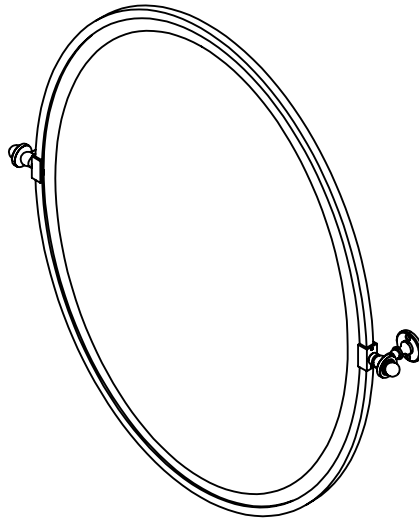




Handmade
in the heart of
BRITAIN



2-116CLD-xx

Oval Tilt Mirror

28 July 2021

760H x 723W x 72D

- | | |
|-----------------------------|-------------------------|
| UB - UNLACQUERED BRASS | CP - POLISHED CHROME |
| BB - BRUSHED BRASS | NP - POLISHED NICKEL |
| BN - BRUSHED NICKEL | LB - LIGHT BRONZE |
| LAB - LIGHT ANTIQUE BRONZE | MB - MEDIUM BRONZE |
| MAB - MEDIUM ANTIQUE BRONZE | DB - DARK BRONZE |
| DAB - DARK ANTIQUE BRONZE | GP - GOLD PLATED |
| AG - ANTIQUE GOLD | GM - GUN METAL |
| MWP - MATT WHITE P.COAT | MBP - MATT BLACK P.COAT |

THE STERLINGHAM CO. LTD.

SCALE: 1:7 | APPROX WEIGHT 7.67KG

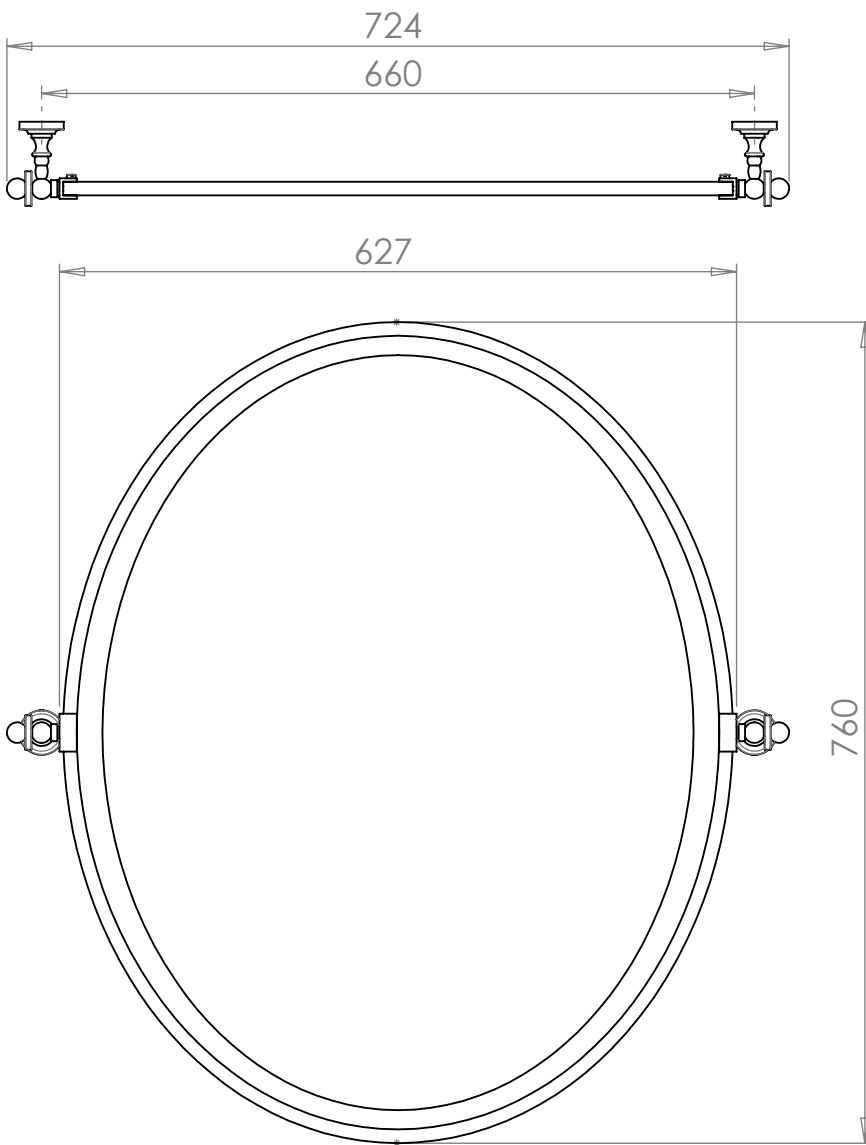
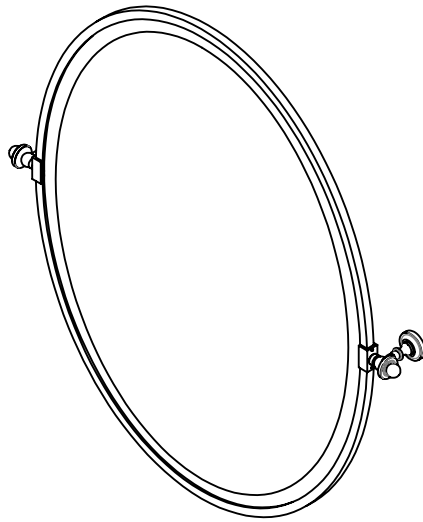
MANUFACTURED FROM BRASS

Units 2 & 2A Stamford Street
Amblecote, Stourbridge,
Worcestershire
England, DY8 4HR

Telephone : 01384 370901
Fax : 01384 880159
sales@sterlingham.co.uk
www.sterlingham.co.uk



Handmade
in the heart of
BRITAIN



2-116CLD-xx

Oval Tilt Mirror

28 July 2021

760H x 724W x 78D

- | | |
|-----------------------------|-------------------------|
| UB - UNLACQUERED BRASS | CP - POLISHED CHROME |
| BB - BRUSHED BRASS | NP - POLISHED NICKEL |
| BN - BRUSHED NICKEL | LB - LIGHT BRONZE |
| LAB - LIGHT ANTIQUE BRONZE | MB - MEDIUM BRONZE |
| MAB - MEDIUM ANTIQUE BRONZE | DB - DARK BRONZE |
| DAB - DARK ANTIQUE BRONZE | GP - GOLD PLATED |
| AG - ANTIQUE GOLD | GM - GUN METAL |
| MWP - MATT WHITE P.COAT | MBP - MATT BLACK P.COAT |

THE STERLINGHAM CO. LTD.

SCALE: 1:7 | APPROX WEIGHT 7.67KG

MANUFACTURED FROM BRASS

Units 2 & 2A Stamford Street
Amblecote, Stourbridge,
Worcestershire
England, DY8 4HR

Telephone : 01384 370901
Fax : 01384 880159
sales@sterlingham.co.uk
www.sterlingham.co.uk