

# Mayfair Double

## Marble Top<sup>1</sup>

Carrara Polished = MAYF-D-CP-X\*

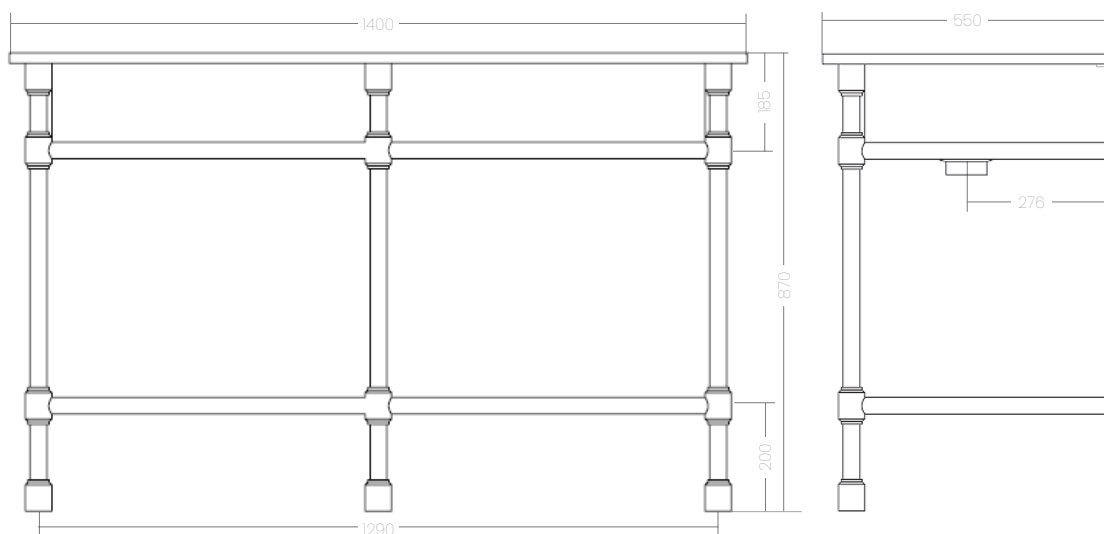
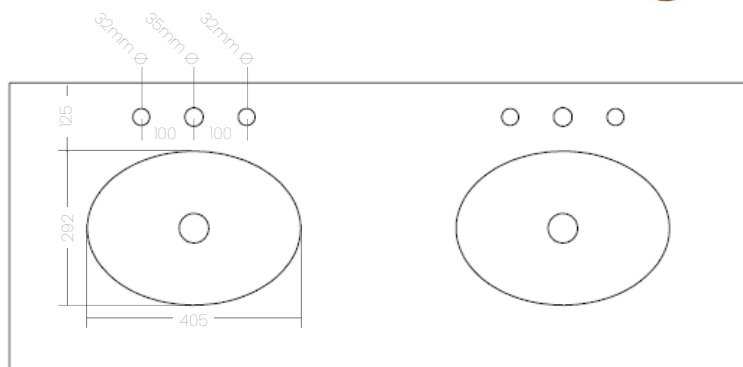
Carrara Honed = MAYF-D-CH-X\*

Arabascato = MAYF-D-AR-X\*

Nero Marquina = MAYF-D-NM-X\*

## Wash Stand<sup>2</sup>

INDU-3-TT-B3-F5-XX\*\*



### Product Notes:

- 20mm Marble Slab with French Cove edge and 200mm skirt. Available with 1, 2, 3 or no tap holes.
- British Made vitreous china bowl, glazed both sides.
- Stand available with heated top rail (Change T1 to T2 in product code) and heated bottom rails (Change B4 to B4 in product code).
- Washstand feet have height adjustment of 10mm to allow for installation on uneven flooring.
- Pictured is Nero Marquina marble with Unlacquered Brass washstand.
- Tap holes shown above are the suggested standards for a 3 hole variation. As each top is cut to order holes can be positioned and to a size according to your requirements. A drawing is required to be signed off prior to production for any variation to top and stand.

<sup>1</sup> Sterlingham supply Marble Top with Skirt, Ceramic Basins, and Overflows. Overflows are finished the same as the stand unless requested otherwise.

<sup>2</sup> All stands include brass wall support brackets in the same finish as the stand for mounting the top on to.



Handmade  
in the heart of  
BRITAIN

\*X is replaced by the number of tap holes required

\*\*XX is replaced by the Brassware Finish

<b>UB</b> - Unlacquered Brass	<b>MAB</b> - Medium Antique Bronze
<b>BB</b> - Brushed Brass	<b>DB</b> - Dark Bronze
<b>CP</b> - Polished Chrome	<b>DAB</b> - Dark Antique Bronze
<b>BC</b> - Brushed Chrome	<b>GM</b> - Gun Metal
<b>NP</b> - Polished Nickel	<b>MBP</b> - Matt Black Powder Coat
<b>BN</b> - Brushed Nickel	<b>MWP</b> - Matt White Powder Coat
<b>LB</b> - Light Bronze	<b>GP</b> - Polished Gold
<b>LAB</b> - Light Antique Bronze	<b>AG</b> - Antique Gold
<b>MB</b> - Medium Bronze	<b>BG</b> - Brushed Gold

THE STERLINGHAM  
STERLINGHAM CO. LTD.

Units 2 & 2A Stamford Street  
Amblecote, Stourbridge,  
Worcestershire  
England, DY8 4HR

Tel: +44(0)1384 370901  
Fax: +44(0)1384 880159  
[sales@sterlingham.co.uk](mailto:sales@sterlingham.co.uk)  
[www.sterlingham.co.uk](http://www.sterlingham.co.uk)