

Kensington Single

Marble Top¹

Carrara Polished = KENS-S-CP-X*

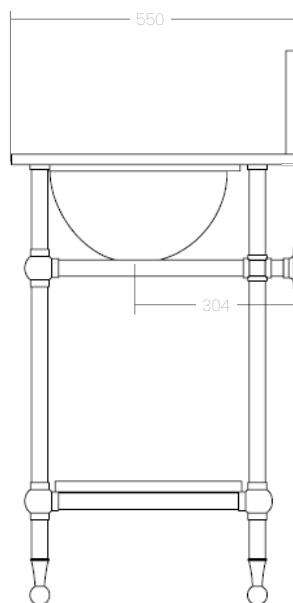
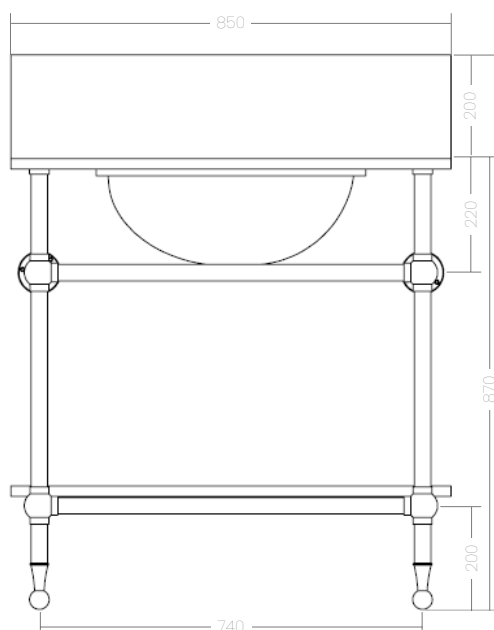
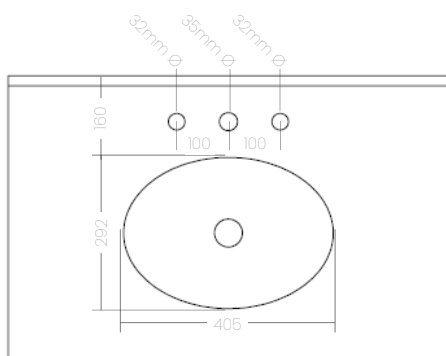
Carrara Honed = KENS-S-CH-X*

Arabascato = KENS-S-AR-X*

Nero Marquina = KENS-S-NM-X*

Wash Stand²

CLASS-4-TI-BI-F2-XX**



Product Notes:

- 20mm Marble Slab with pencil edge finish. Available with 1, 2, 3 or no tap holes.
- British Made vitreous china bowl, glazed both sides.
- Stand available with heated top rail (Change T1 to T2 in product code) and heated bottom rails (Change B1 to B2 in product code).
- Washstand feet have height adjustment of 10mm to allow for installation on uneven flooring.
- Pictured is Carrara Polished marble with Unlacquered Brass washstand.
- 20mm Marble Shelf included as standard but can be supplied without, or with a glass shelf if preferred.
- Tap holes shown above are the suggested standards for a 3 hole variation. As each top is cut to order holes can be positioned and to a size according to your requirements. A drawing is required to be signed off prior to production for any variation to top and stand.

¹ Sterlingham supply Marble Top, Upstand & Shelf, Ceramic Basin and Overflow. Overflow is finished the same as the stand unless requested otherwise.

² All stands include brass wall support bracket in the same finish as the stand for mounting the top on to.



Handmade
in the heart of
BRITAIN

*X is replaced by the number of tap holes required

**XX is replaced by the Brassware Finish

| | |
|-----------------------------------|-------------------------------------|
| UB - Unlacquered Brass | MAB - Medium Antique Bronze |
| BB - Brushed Brass | DB - Dark Bronze |
| CP - Polished Chrome | DAB - Dark Antique Bronze |
| BC - Brushed Chrome | GM - Gun Metal |
| NP - Polished Nickel | MBP - Matt Black Powder Coat |
| BN - Brushed Nickel | MWP - Matt White Powder Coat |
| LB - Light Bronze | GP - Polished Gold |
| LAB - Light Antique Bronze | AG - Antique Gold |
| MB - Medium Bronze | BG - Brushed Gold |

THE STERLINGHAM
CO. LTD.

Units 2 & 2A Stamford Street
Amblecote, Stourbridge,
Worcestershire
England, DY8 4HR

Tel: +44(0)1384 370901
Fax: +44(0)1384 880159
sales@sterlingham.co.uk
www.sterlingham.co.uk