

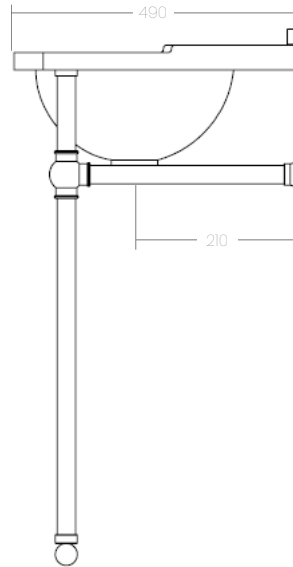
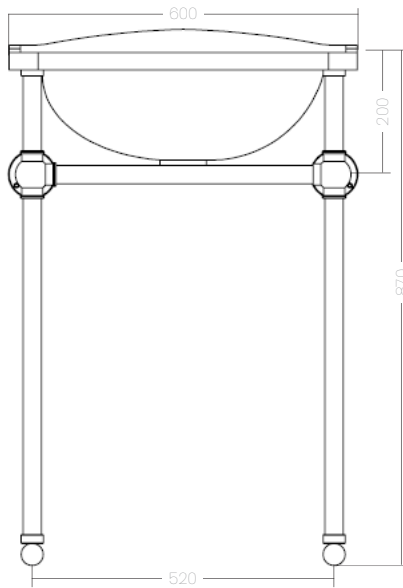
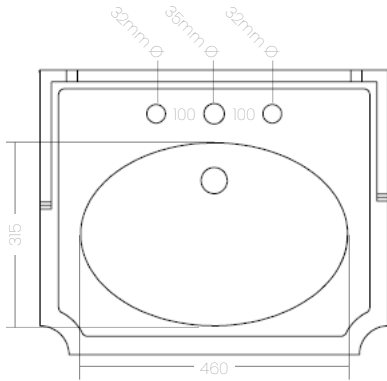
fitzrovia

Ceramic Top

FITZ-X*

Wash Stand

FLAF-2-TI-B0-FI-XX**



Product Notes:

- British Made vitreous china bowl, glazed both sides. Available with 1, 2, 3 or no tap holes.
- Stand available with heated top rail (Change T1 to T2 in product code)
- Washstand feet have height adjustment of 10mm to allow for installation on uneven flooring.



Handmade
in the heart of
BRITAIN

*X is replaced by the number of tap holes required

**XX is replaced by the Brassware Finish

UB - Unlacquered Brass	MAB - Medium Antique Bronze
BB - Brushed Brass	DB - Dark Bronze
CP - Polished Chrome	DAB - Dark Antique Bronze
BC - Brushed Chrome	GM - Gun Metal
NP - Polished Nickel	MBP - Matt Black Powder Coat
BN - Brushed Nickel	MWP - Matt White Powder Coat
LB - Light Bronze	GP - Polished Gold
LAB - Light Antique Bronze	AG - Antique Gold
MB - Medium Bronze	BG - Brushed Gold

THE STERLINGHAM
ERLINGHAM
HAM CO. LTD.

Units 2 & 2A Stamford Street
Amblecote, Stourbridge,
Worcestershire
England, DY8 4HR

Tel: +44(0)1384 370901
Fax : +44(0)1384 880159
sales@sterlingham.co.uk
www.sterlingham.co.uk