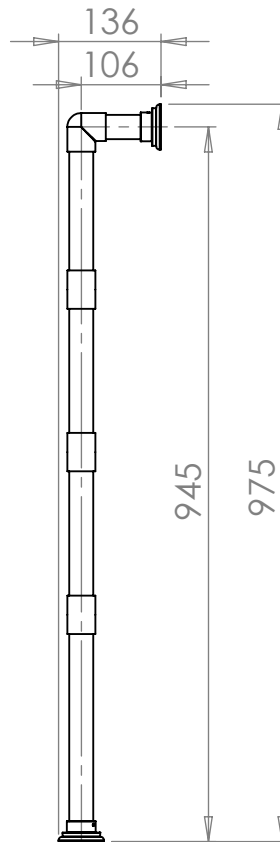
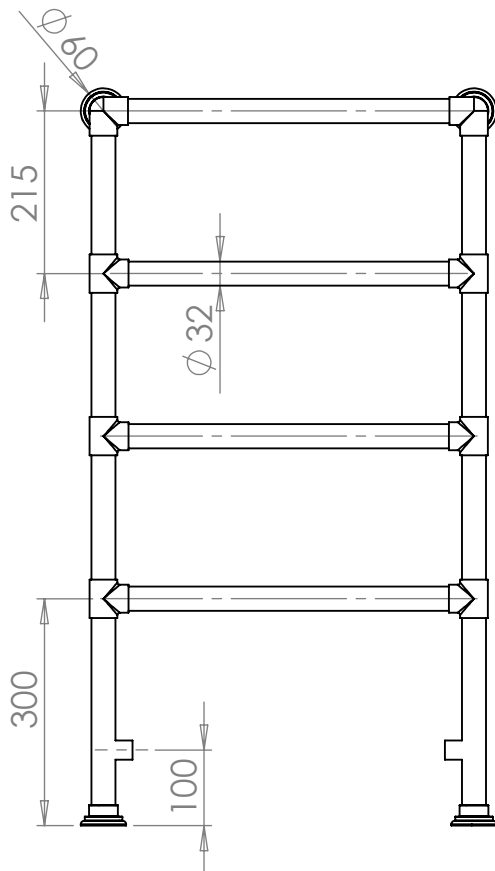
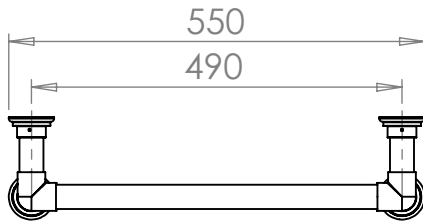
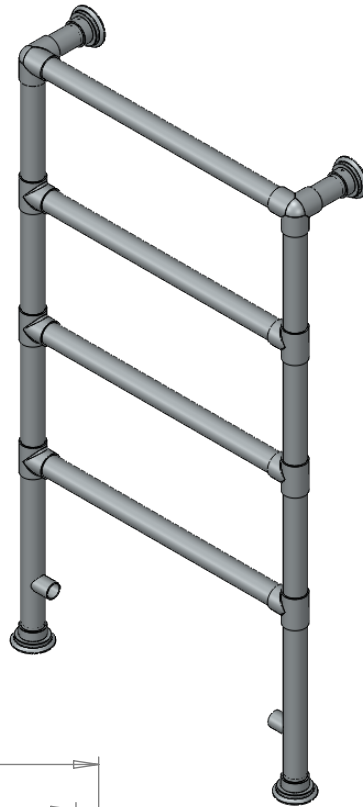




Handmade
in the heart of
BRITAIN



Morville 4 Rail

975 x 550 x 136

14 January 2020

MORV-4-H-975-550-XX

- | | |
|-----------------------------|-------------------------|
| UB - UNLACQUERED BRASS | CP - POLISHED CHROME |
| BB - BRUSHED BRASS | NP - POLISHED NICKEL |
| BN - BRUSHED NICKEL | LB - LIGHT BRONZE |
| LAB - LIGHT ANTIQUE BRONZE | MB - MEDIUM BRONZE |
| MAB - MEDIUM ANTIQUE BRONZE | DB - DARK BRONZE |
| DAB - DARK ANTIQUE BRONZE | GP - GOLD PLATED |
| AG - ANTIQUE GOLD | GM - GUN METAL |
| MWP - MATT WHITE P.COAT | MBP - MATT BLACK P.COAT |

THE STERLINGHAM CO. LTD.

SCALE: 1:10 | APPROX WEIGHT 6.01KG

MANUFACTURED FROM BRASS

Units 2 & 2A Stamford Street
Amblecote, Stourbridge,
Worcestershire
England, DY8 4HR

Telephone : 01384 370901
Fax : 01384 880159
sales@sterlingham.co.uk
www.sterlingham.co.uk

For Hydronic Towel Warmers:

Tappings for hydronic and dual fuel: 1/2" BSP valves must be purchased in addition to this towel warmer. Checks should be made with your local water authority to ensure that the water quality will not cause dezincification of the brass material.