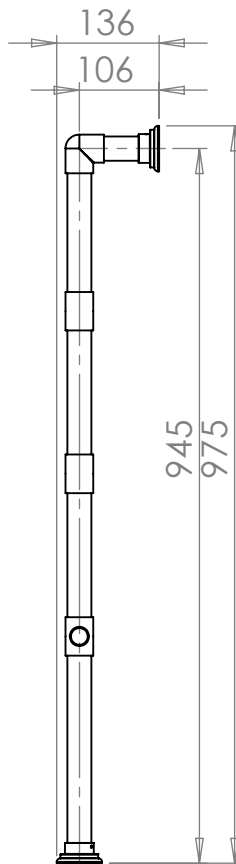
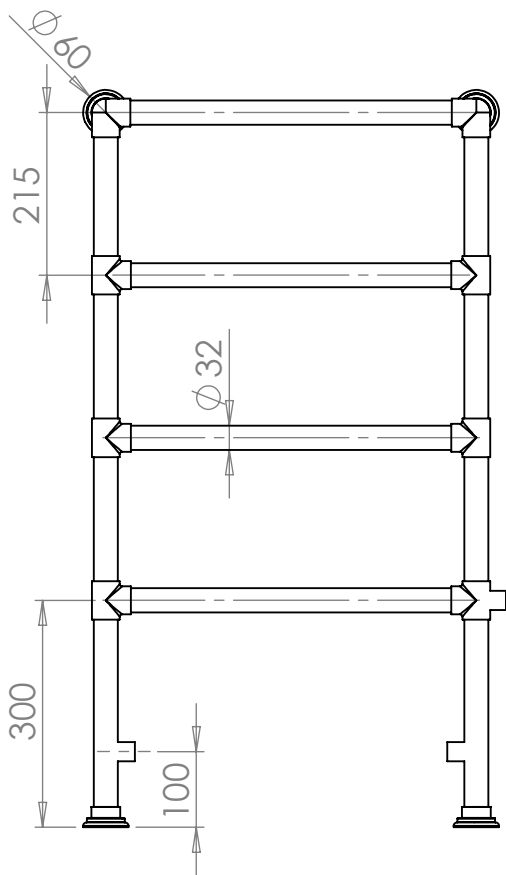
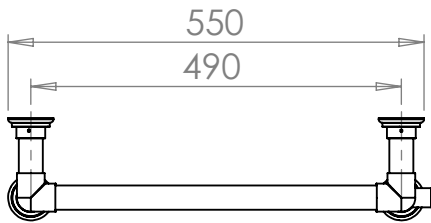
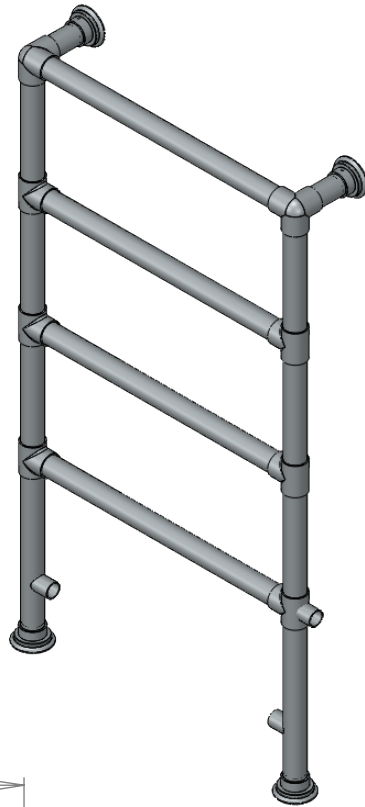




Handmade  
*in the heart of*  
BRITAIN



## Morville 4 Rail

975 x 550 x 136

14 January 2020

MORV-4-D-975-550-XX

UB - UNLACQUERED BRASS	CP - POLISHED CHROME
BB - BRUSHED BRASS	NP - POLISHED NICKEL
BN - BRUSHED NICKEL	LB - LIGHT BRONZE
LAB - LIGHT ANTIQUE BRONZE	MB - MEDIUM BRONZE
MAB - MEDIUM ANTIQUE BRONZE	DB - DARK BRONZE
DAB - DARK ANTIQUE BRONZE	GP - GOLD PLATED
AG - ANTIQUE GOLD	GM - GUN METAL
MWP - MATT WHITE P.COAT	MBP - MATT BLACK P.COAT

**THE STERLINGHAM** CO. LTD.

SCALE: 1:10 | APPROX WEIGHT 6.02KG

MANUFACTURED FROM BRASS

Units 2 & 2A Stamford Street  
Amblecote, Stourbridge,  
Worcestershire  
England, DY8 4HR

Telephone : 01384 370901  
Fax : 01384 880159  
sales@sterlingham.co.uk  
www.sterlingham.co.uk

**For Dual Fuel Towel Warmers:**

Tappings For Hydronic & Dual Fuel: 1/2" BS. Valves & Element Must Be Purchased In Addition To This Towel Warmer. Checks Should Be Made With Your Local Water Authority To Ensure That The Water Quality Will Not Cause Dezincification Of The Brass Material.