

# FOOTMAN 4 RAIL

975 x 620 x 82

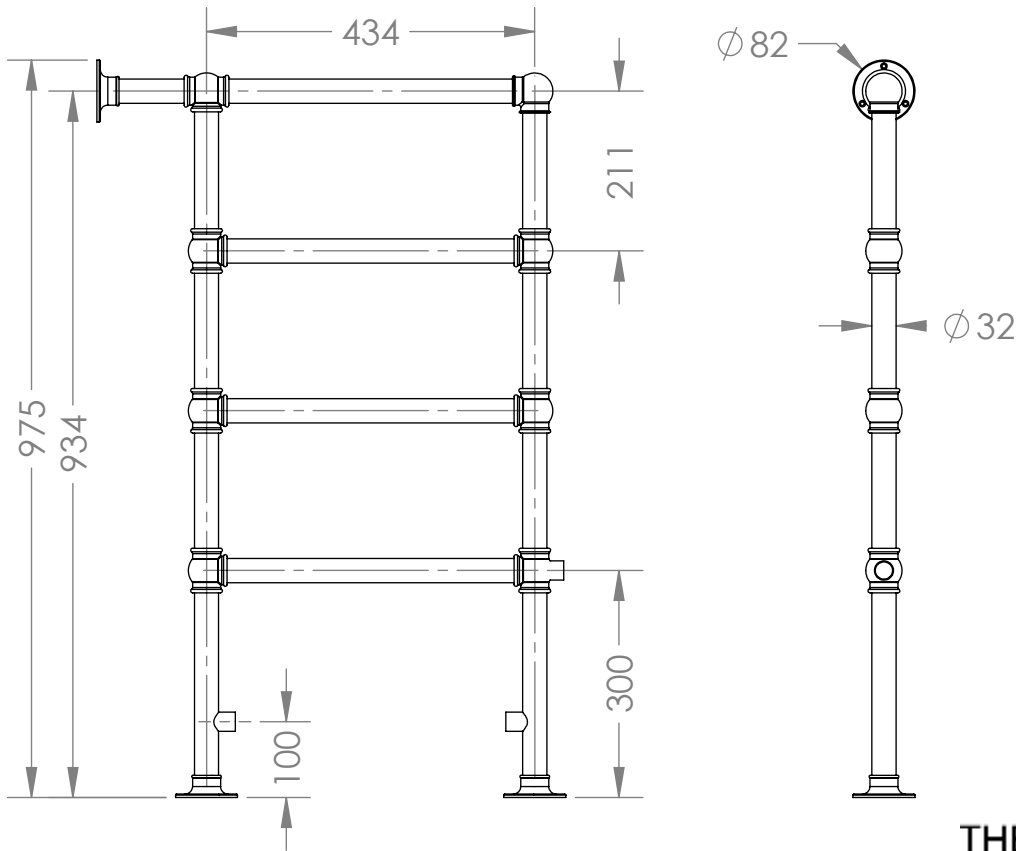
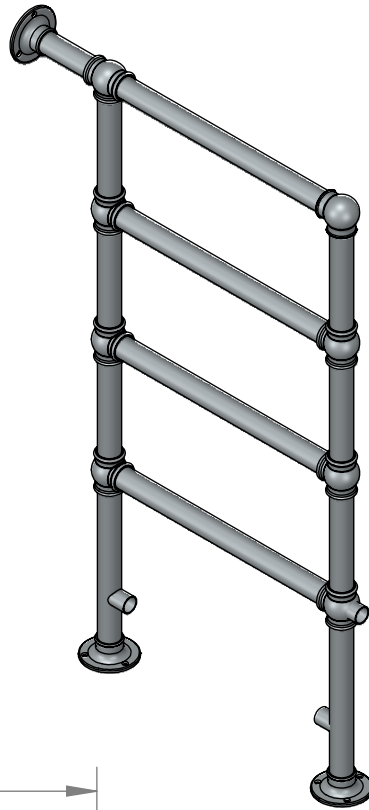
V1

14 January 2020

FOOT-4-H-975-620-xx

## AVAILABLE FINISHES

- |                             |                      |
|-----------------------------|----------------------|
| UB - UNLACQUERED BRASS      | CP - POLISHED CHROME |
| BN - BRUSHED NICKEL         | NP - POLISHED NICKEL |
| LAB - LIGHT ANTIQUE BRONZE  | LB - LIGHT BRONZE    |
| MAB - MEDIUM ANTIQUE BRONZE | MB - MEDIUM BRONZE   |
| DAB - DARK ANTIQUE BRONZE   | DB - DARK BRONZE     |
| AG - ANTIQUE GOLD           | GP - GOLD PLATED     |



I Handmade  
*in the heart of*  
BRITAIN

**THE STERLINGHAM** CO. LTD.

SCALE: 1:10

APPROX WEIGHT 5718.76KG

MANUFACTURED FROM BRASS

Units 2 & 2A Stamford Street  
Amblecote, Stourbridge,  
Worcestershire  
England, DY8 4HR

Telephone : 01384 370901  
Fax : 01384 880159  
sales@sterlingham.co.uk  
www.sterlingham.co.uk

### For Hydronic Towel Warmers:

Tappings For Hydronic & Dual Fuel: 1/2". BSP Valves Must Be Purchased In Addition To This Towel Warmer. Checks Should Be Made With Your Local Water Authority To Ensure That The Water Quality Will Not Cause Dezincification Of The Brass Material.