

FOOTMAN 4 RAIL

975 x 620 x 82mm

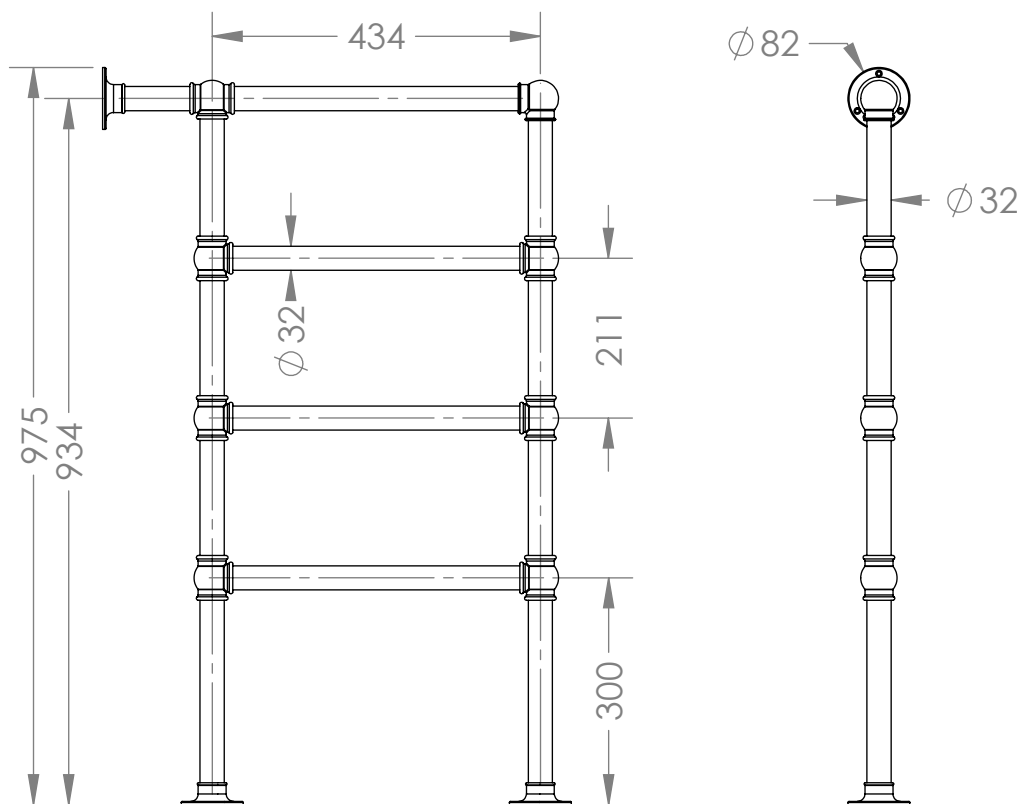
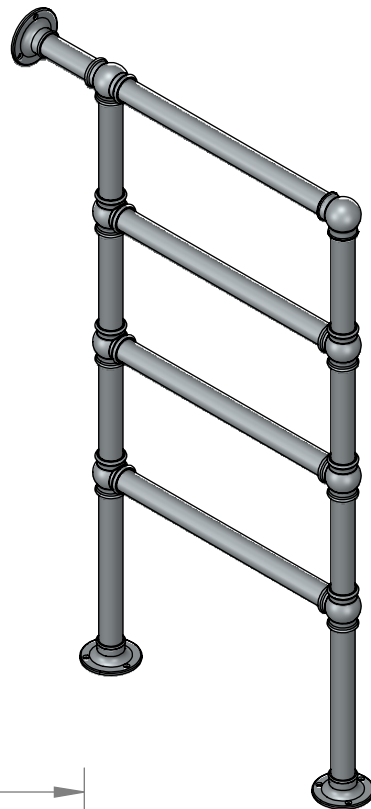
V1

14 January 2020

FOOT-4-E-975-620-xx

AVAILABLE FINISHES

UB - UNLACQUERED BRASS	CP - POLISHED CHROME
BN - BRUSHED NICKEL	NP - POLISHED NICKEL
LAB - LIGHT ANTIQUE BRONZE	LB - LIGHT BRONZE
MAB - MEDIUM ANTIQUE BRONZE	MB - MEDIUM BRONZE
DAB - DARK ANTIQUE BRONZE	DB - DARK BRONZE
AG - ANTIQUE GOLD	GP - GOLD PLATED



I Handmade
in the heart of
BRITAIN

THE STERLINGHAM CO. LTD.

SCALE: 1:10

APPROX WEIGHT 5878.57KG

MANUFACTURED FROM BRASS

Units 2 & 2A Stamford Street
Amblecote, Stourbridge,
Worcestershire
England, DY8 4HR

Telephone : 01384 370901
Fax : 01384 880159
sales@sterlingham.co.uk
www.sterlingham.co.uk

For Electric Towel Warmers:

Cable exit and length is bespoke to the customers requirements, please state preference upon ordering.