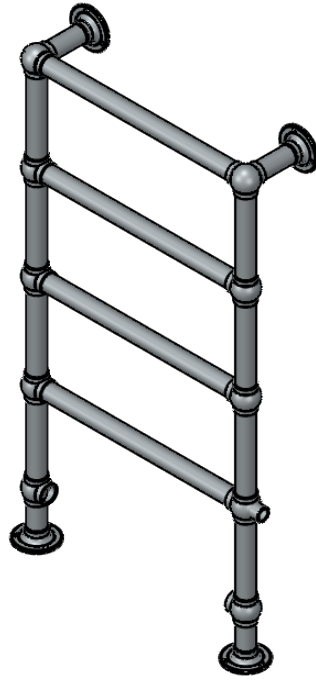




Handmade
in the heart of
BRITAIN



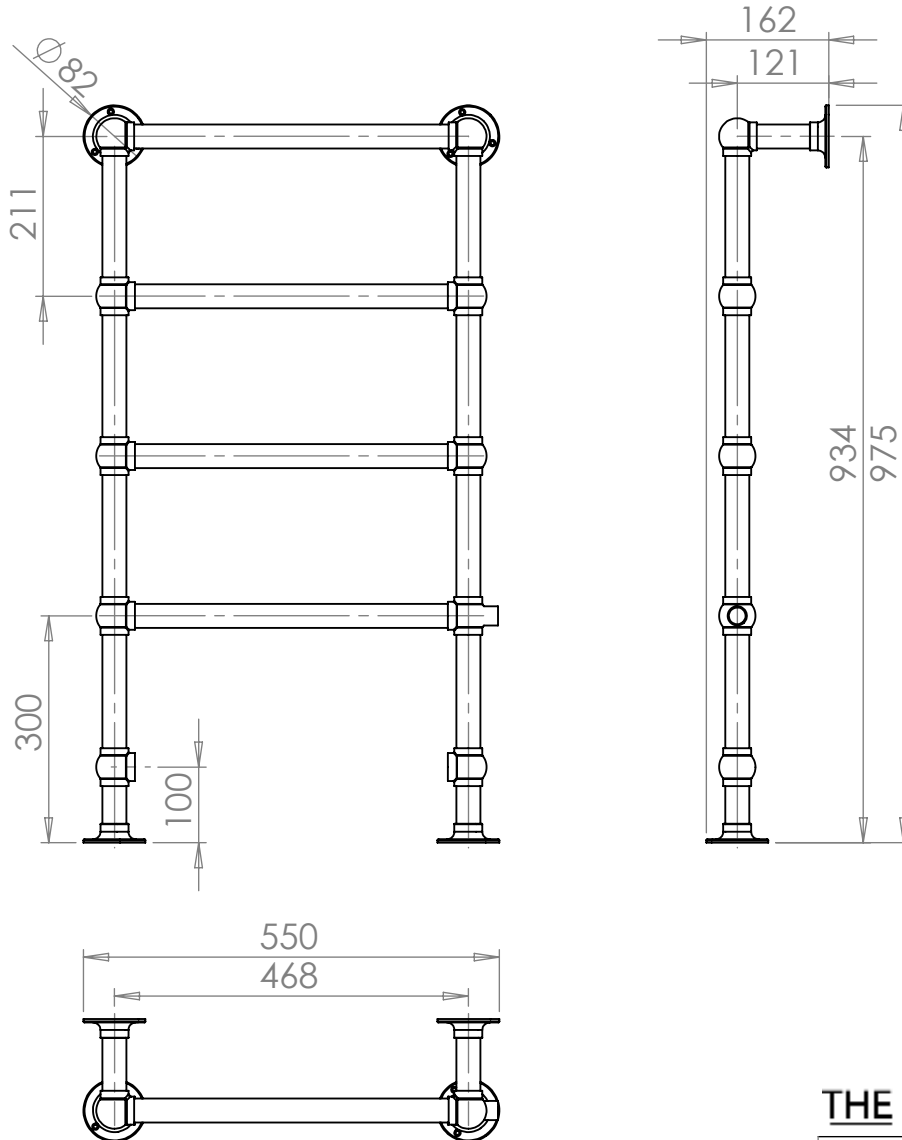
Enville 4 Rail

975 x 550 x 162

13 January 2020

ENVI-4-D-975-550-XX

- | | |
|-----------------------------|-------------------------|
| UB - UNLACQUERED BRASS | CP - POLISHED CHROME |
| BB - BRUSHED BRASS | NP - POLISHED NICKEL |
| BN - BRUSHED NICKEL | LB - LIGHT BRONZE |
| LAB - LIGHT ANTIQUE BRONZE | MB - MEDIUM BRONZE |
| MAB - MEDIUM ANTIQUE BRONZE | DB - DARK BRONZE |
| DAB - DARK ANTIQUE BRONZE | GP - GOLD PLATED |
| AG - ANTIQUE GOLD | GM - GUN METAL |
| MWP - MATT WHITE P.COAT | MBP - MATT BLACK P.COAT |



THE STERLINGHAM CO. LTD.

SCALE: 1:20 | APPROX WEIGHT 6.88KG

MANUFACTURED FROM BRASS

Units 2 & 2A Stamford Street
Amblecote, Stourbridge,
Worcestershire
England, DY8 4HR

For Dual Fuel Towel Warmers:

Tappings For Hydronic & Dual Fuel: 1/2" BS. Valves & Element Must Be Purchased In Addition To This Towel Warmer. Checks Should Be Made With Your Local Water Authority To Ensure That The Water Quality Will Not Cause Dezincification Of The Brass Material.

Telephone : 01384 370901
Fax : 01384 880159
sales@sterlingham.co.uk
www.sterlingham.co.uk