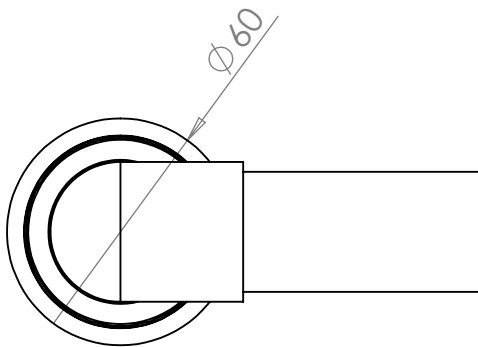
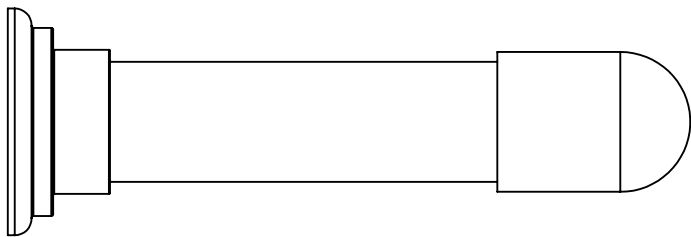
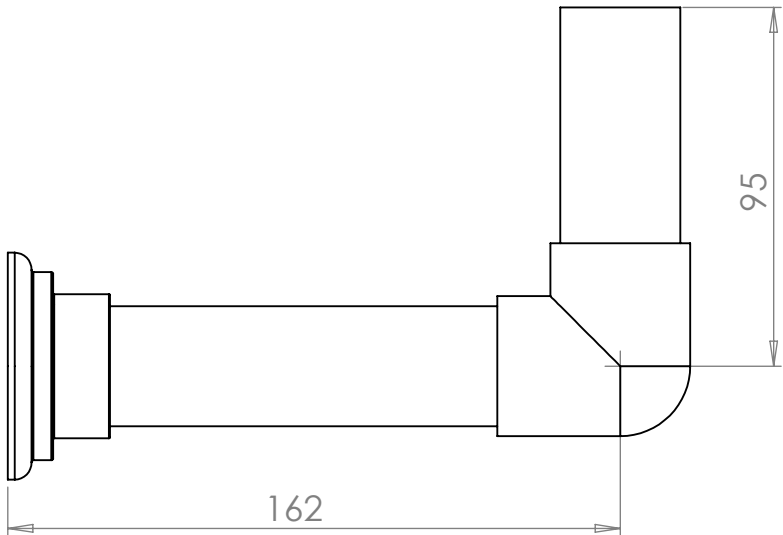
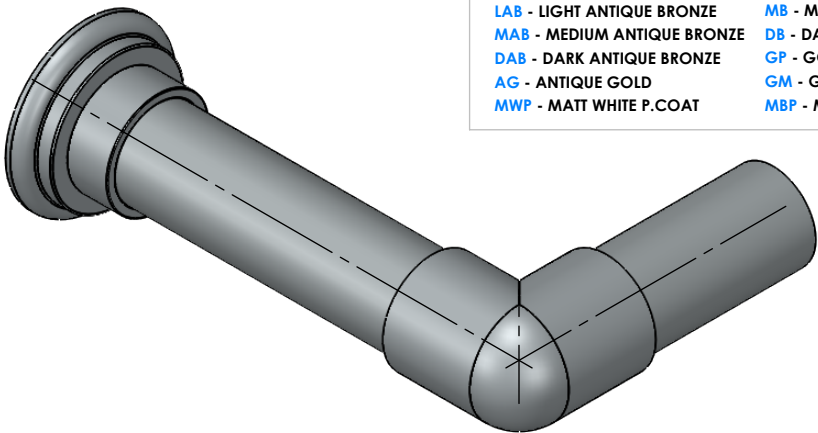


32mm Straight Joint Cover Shroud

9-005xx

5th March 2019

- | | |
|-----------------------------|-------------------------|
| UB - UNLACQUERED BRASS | CP - POLISHED CHROME |
| BB - BRUSHED BRASS | NP - POLISHED NICKEL |
| BN - BRUSHED NICKEL | LB - LIGHT BRONZE |
| LAB - LIGHT ANTIQUE BRONZE | MB - MEDIUM BRONZE |
| MAB - MEDIUM ANTIQUE BRONZE | DB - DARK BRONZE |
| DAB - DARK ANTIQUE BRONZE | GP - GOLD PLATED |
| AG - ANTIQUE GOLD | GM - GUN METAL |
| MWP - MATT WHITE P.COAT | MBP - MATT BLACK P.COAT |



THE STERLINGHAM CO. LTD.

SCALE: 1:2 APPROX WEIGHT 0.63KG

MANUFACTURED FROM BRASS

**Units 2 & 2A Stamford Street
Amblecote, Stourbridge,
Worcestershire
England, DY8 4HR**

**Telephone : 01384 370901
Fax : 01384 880159
sales@sterlingham.co.uk
www.sterlingham.co.uk**